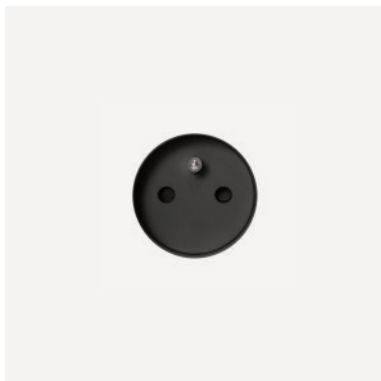
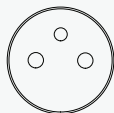


Rond 3.0 series.

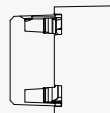
rond 3.0 | socket



type E

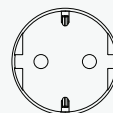


· 42 ·

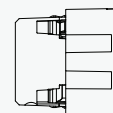


· 38.6 ·

type F



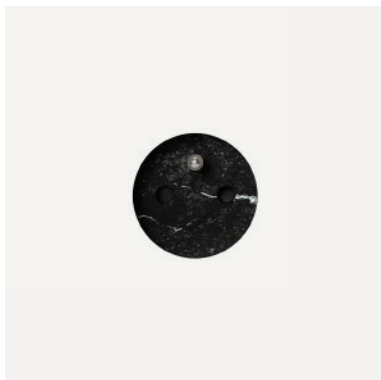
· 42 ·



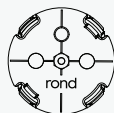
· 41.4 ·

types	E BE/FR	F NL/DE/LU		
finishes	black	cream	white	grey
compatibility	rond 3.0 backfit holder			
installation hole	Ø42			
removable	by tool, always accessible			
price	€ 29 excl. VAT			

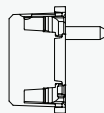
rond 3.0 | stone socket



type E



· 40 ·

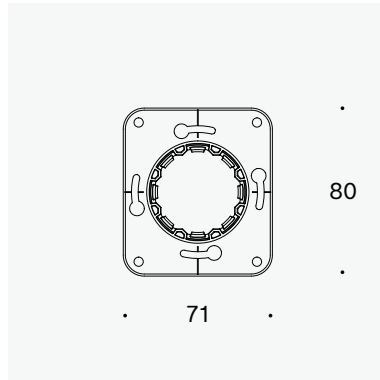


· 21 ·

types	E BE/FR	
finishes	black	white
compatibility	rond 3.0 backfit holder	
installation hole	Ø40	
removable	by tool, always accessible	
price	€ 49 excl. VAT	

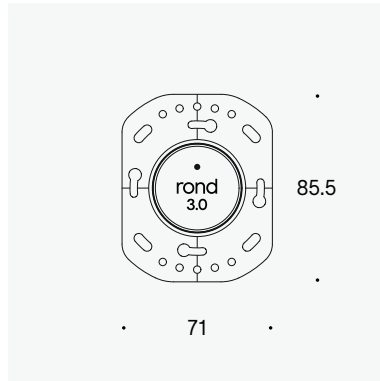
Rond 3.0 series.

rond 3.0 | backfit holder



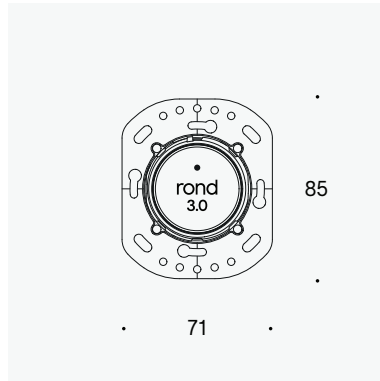
compatibility	rond 3.0 series	
for	wood, veneer and stone	
panel thickness	11-12-13 mm	15-16-17 mm
	18-19-20mm	21-22-23mm
price	€ 19 excl. VAT	

rond 3.0 | plaster ring fix



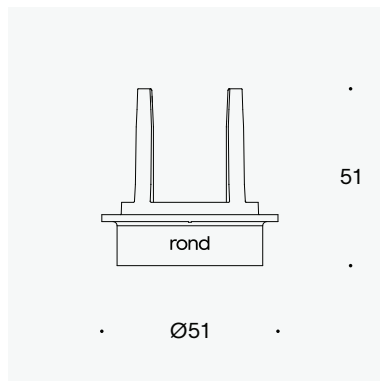
compatibility	rond 3.0 retro/backfit socket type E/F	
price	€ 9 excl. VAT	

rond 3.0 | plaster ring adjustable



compatibility	rond 3.0 retro/backfit socket type E/F	
price	€ 19 excl. VAT	

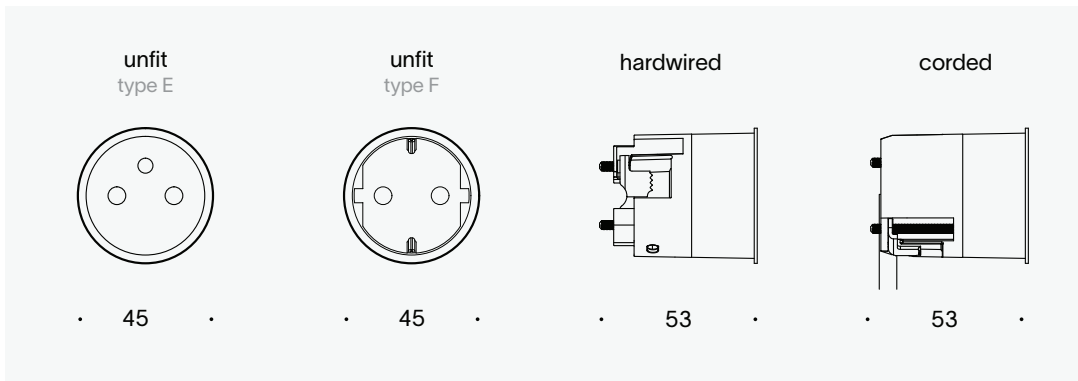
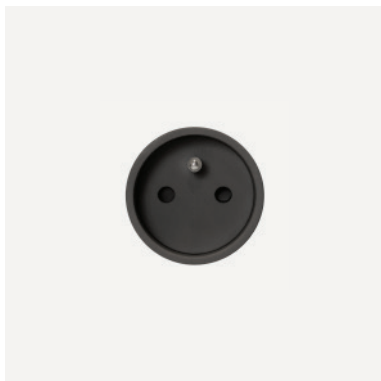
rond 3.0 | removal tool



compatibility	rond 3.0 series	
price	€ 9 excl. VAT	

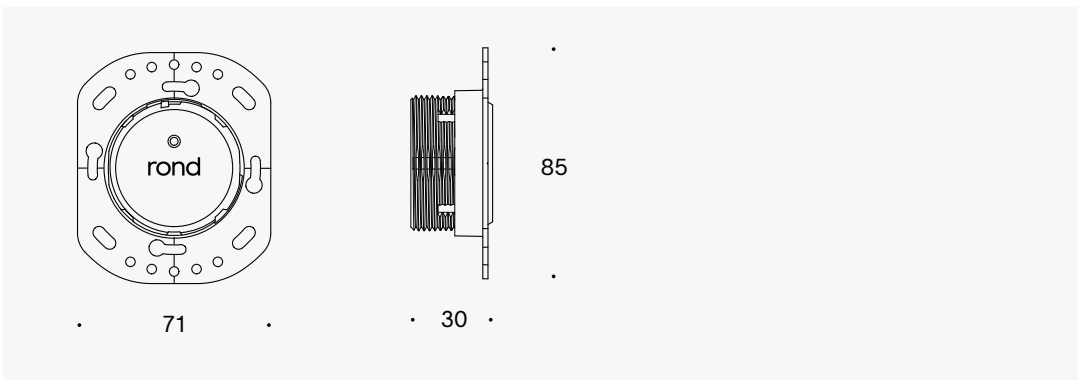
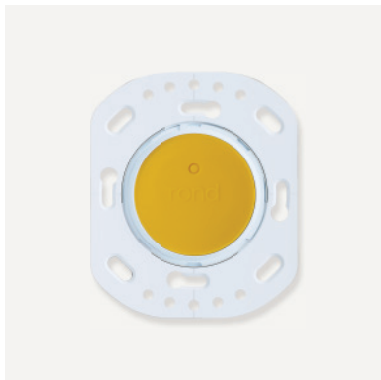
Unifit series.

rond | unifit socket



types	E BE/FR	F NL/DE/LU		
variants	hardwired	corded		
finishes	black	cream	white	grey
installation hole	Ø42			
panel thickness	16 - 32 mm (adjustable lugs)			
removable	without tool, always accessible			
price	€ 49 excl. VAT			

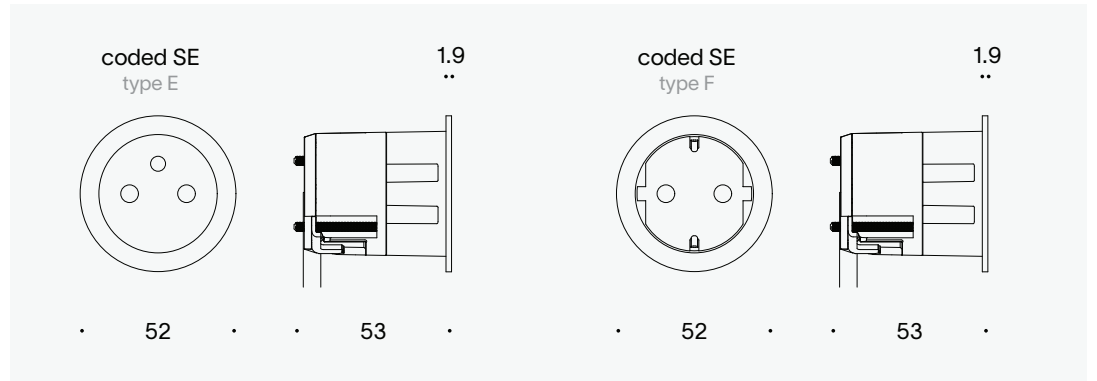
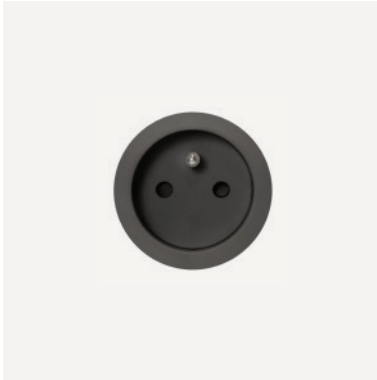
rond | adjustable plaster ring



compatibility	unifit socket type E/F
adjustability	3.6 - 20 mm plaster
location	indoor
price	€ 9 excl. VAT

Unifit series.

rond | unifit socket corded SE



types	E BE/FR	F NL/DE/LU
variant	corded SE	
finishes	black	white
installation hole	Ø42	
panel thickness	16 - 32 mm (adjustable lugs)	
removable	without tool, always accessible	
price	€ 33 excl. VAT	

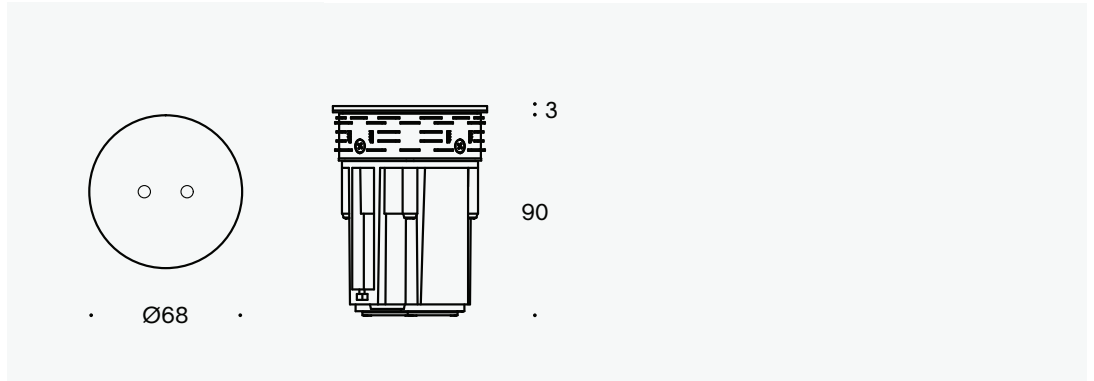
Floor series.

rond | floor socket Ø60



IP rating	IP66 closed	IP20 open
compatibility	retro/backfit socket module trimless type E/F sold separately	
application / location	concrete floors & tiles Ø60	indoor
cover plate	required, not included sold separately	
finishes	brushed steel	brushed brass
	brushed dark bronze	brushed canon de fusil dark
removable	cover plate, by power plug	socket module, by removal tool
price	€ 69 excl. VAT	

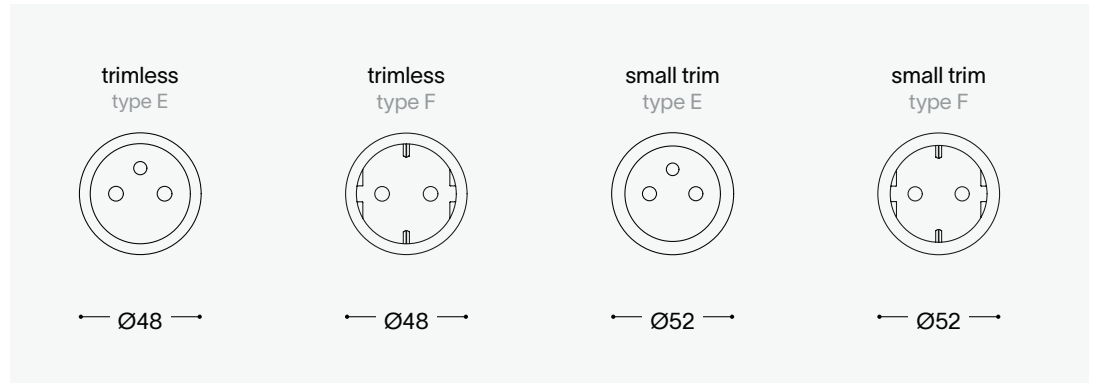
rond | floor socket Ø68



IP rating	IP66 closed	IP20 open
compatibility	retro/backfit socket module trimless type E/F sold separately	
application / location	wooden floors Ø68	indoor
cover plate	required, not included sold separately	
finishes	brushed steel	brushed brass
	brushed dark bronze	brushed canon de fusil dark
removable	cover plate, by power plug	socket module, by removal tool
price	€ 69 excl. VAT	

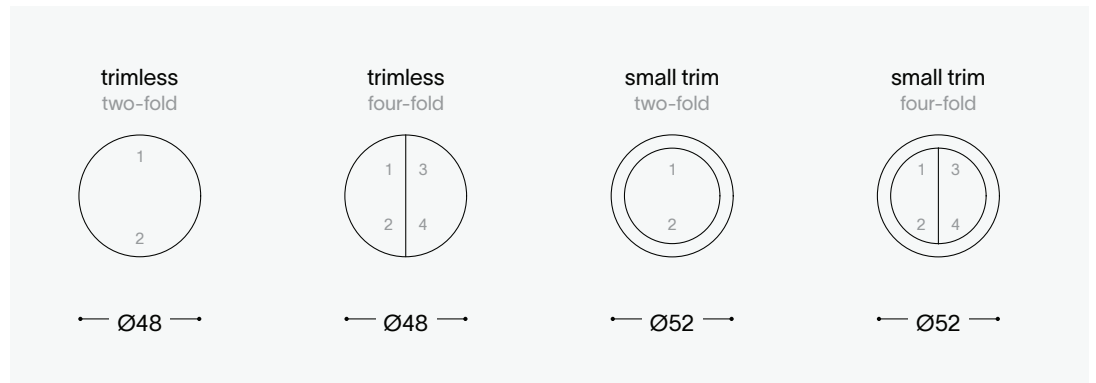
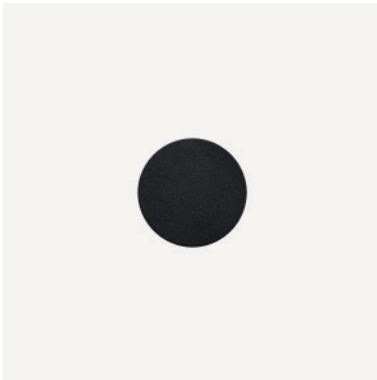
Rond 2.0 series.

rond 2.0 | socket module



types	E BE/FR	F NL/DE/LU
compatibility	retro/backfit modules	multifit modules
variants	trimless Ø48	small trim Ø52
finishes	basic alu	custom brass finishes
removable	by tool, always accessible	
price	€ 29 - 69 excl. VAT	

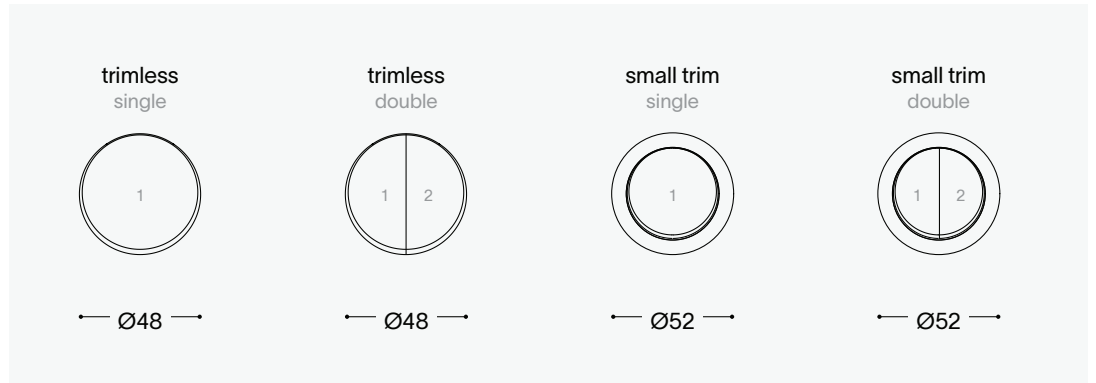
rond 2.0 | PF push button



types	potential-free	two-fold	four-fold
compatibility	retro/backfit modules	multifit modules	
variants	trimless Ø48	small trim Ø52	
finishes	basic alu	custom brass finishes	
sensor	integrated NTC temperature-sensor		
removable	by tool, always accessible		
price	€ 49 - 169 excl. VAT		

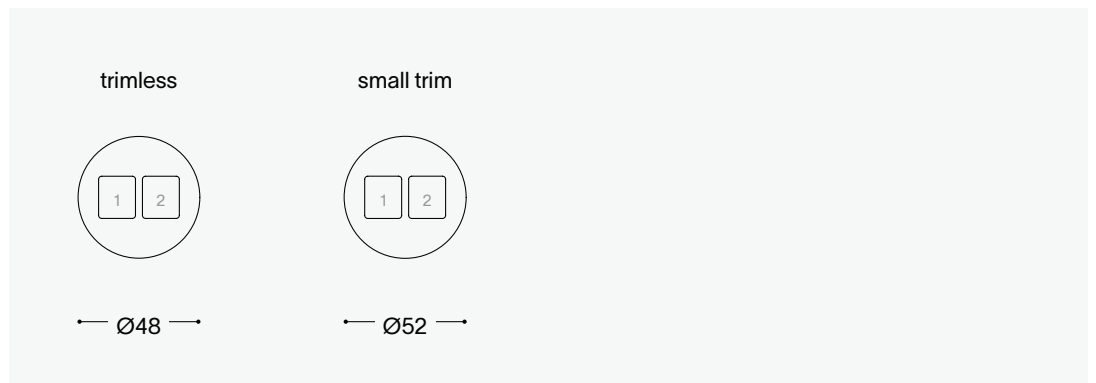
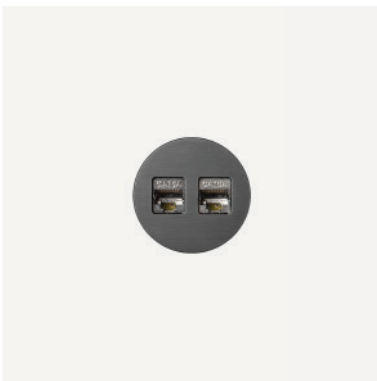
Rond 2.0 series.

rond 2.0 | 230V switches



types	single-pole switch	double NO push button
	two-pole switch	two-way switch
	NO push button	two-pole two-way switch
	two-circuit switch	double two-way switch
	intermediate switch	
compatibility	retro/backfit modules	multifit modules
variants	trimless Ø48	small trim Ø52
finishes	basic	alu
removable	by tool, always accessible	
price	€ 29 - 69 excl. VAT	

rond 2.0 | data ports module



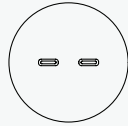
type keystones	RJ45 UTP	coax	hdmi	audio
compatibility	retro/backfit modules		multifit modules	
variants	trimless Ø48		small trim Ø52	
finishes	alu		custom brass finishes	
removable	by tool, always accessible			
price	€ 49 - 69 excl. VAT			
other	keystones sold separately			

Rond 2.0 series.

rond 2.0 | dual USB-C module 30W

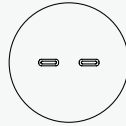


trimless



← Ø48 →

small trim

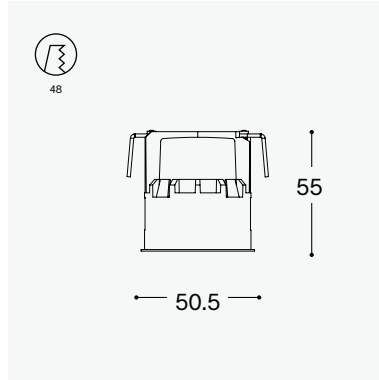


← Ø52 →

type	2X USB-C port	30W
compatibility	retro/backfit modules	multifit modules
variants	trimless Ø48	small trim Ø52
finishes	alu	custom brass finishes
removable	by tool, always accessible	
price	€ 89 - 129 excl. VAT	

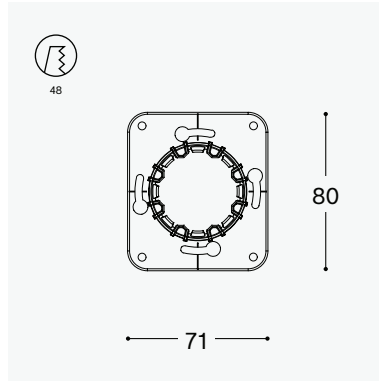
Rond 2.0 series.

rond 2.0 | multifit holder



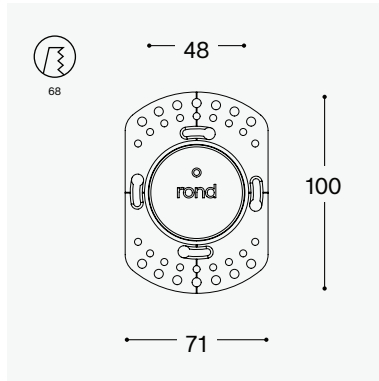
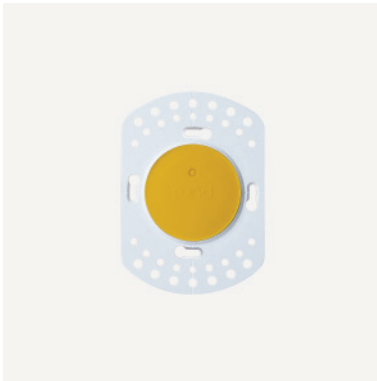
compatibility	multifit modules
fits in	wood, veneer and stone
installation hole	Ø 48
panel thickness	8 - 30 mm
price	€ 19 excl. VAT

rond 2.0 | backfit holder



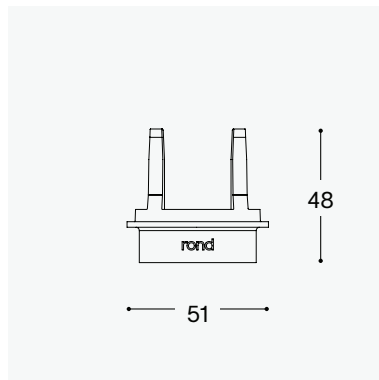
compatibility	retro/backfit modules
for	wood, veneer and stone
installation hole	Ø 48
panel thickness	19 mm
price	€ 19 excl. VAT

rond 2.0 | retrofit plaster ring



compatibility	retro/backfit modules
fits in	universal junction boxes round or square
installation hole	Ø 68
price	€ 9 excl. VAT

rond 2.0 | removal tool



compatibility	retro/backfit modules multifit modules
price	€ 9 excl. VAT