

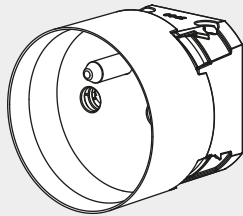
backfit holder 3.0

installation instruction

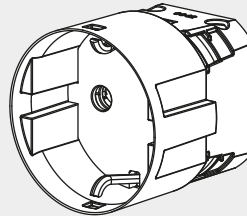
1

for model **with flange** go to step 2a ([click here](#))

(compatible with wood, veneer & stone)



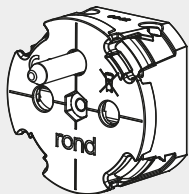
type E



type F

for model **without flange** go to step 2b ([click here](#))

(compatible with stone only)

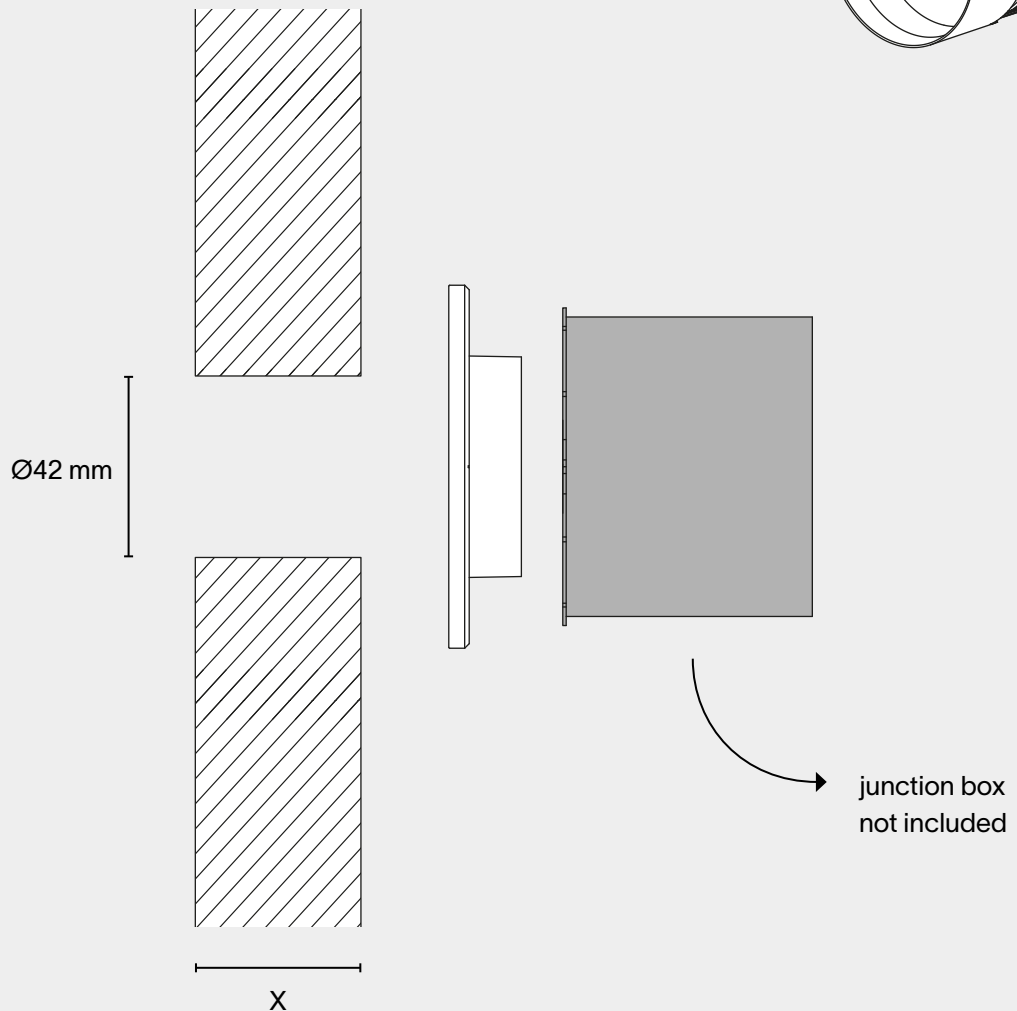
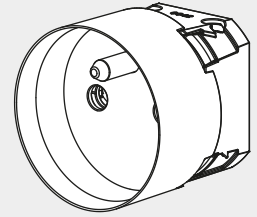


type E

What model are you installing?

2a

model with flange

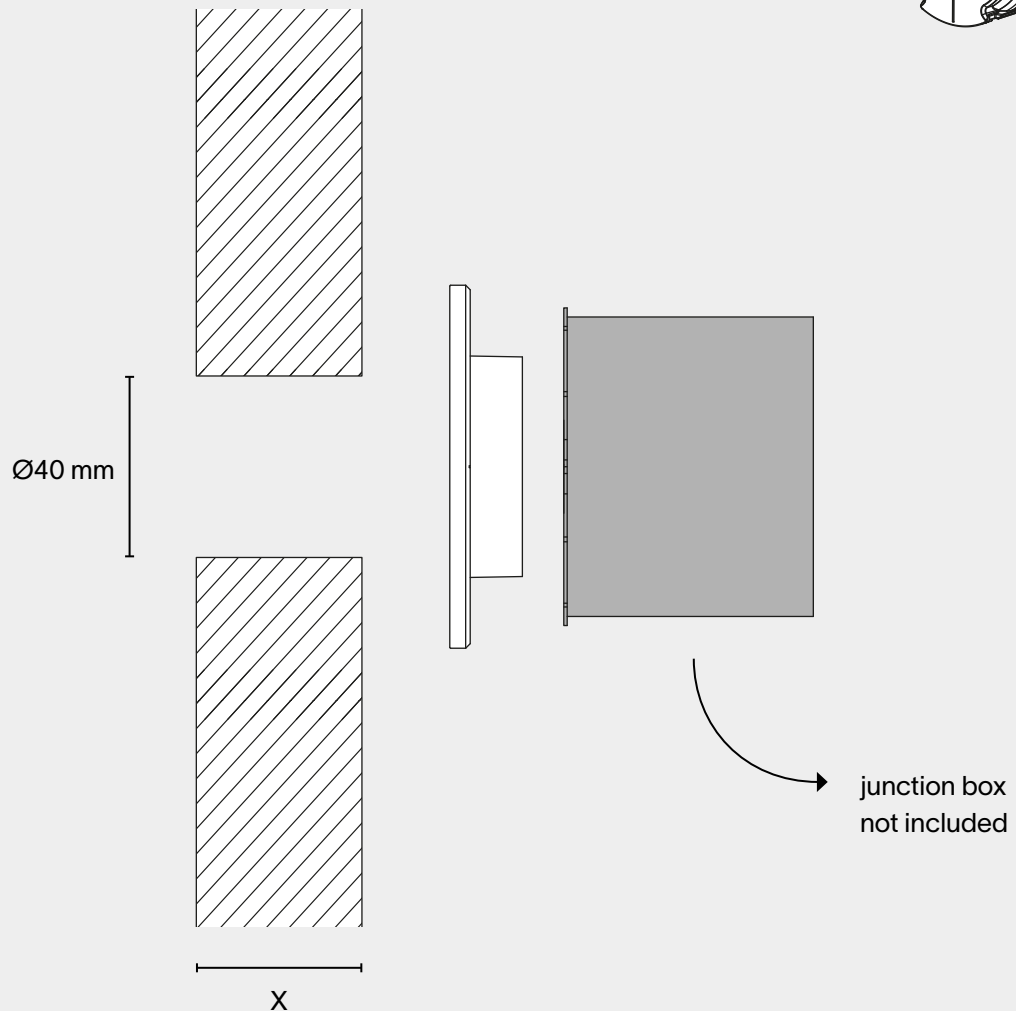
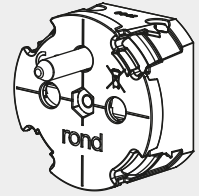


Make sure to use the correct version of the backfit holder depending on the material thickness.
Continue to step 3 ([click here](#)).

product code	name	X
0042-0015	rond 3.0 backfit holder - 12 mm	12 mm
0042-0016	rond 3.0 backfit holder - 16 mm	16 mm
0042-0019	rond 3.0 backfit holder - 19 mm	19 mm
0042-0022	rond 3.0 backfit holder - 22 mm	22 mm

2b

model without flange

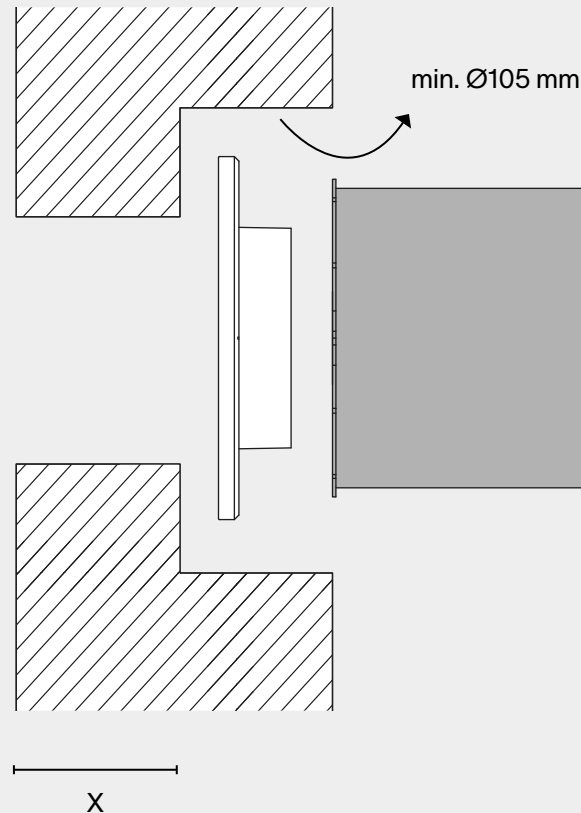


Make sure to use the correct version of the backfit holder depending on the material thickness.
Continue to step 3 ([click here](#)).

product code	name	X
0042-0016	rond 3.0 backfit holder - 16 mm	16 mm
0042-0019	rond 3.0 backfit holder - 19 mm	19 mm
0042-0022	rond 3.0 backfit holder - 22 mm	22 mm

3a

if thickness > X
machine down

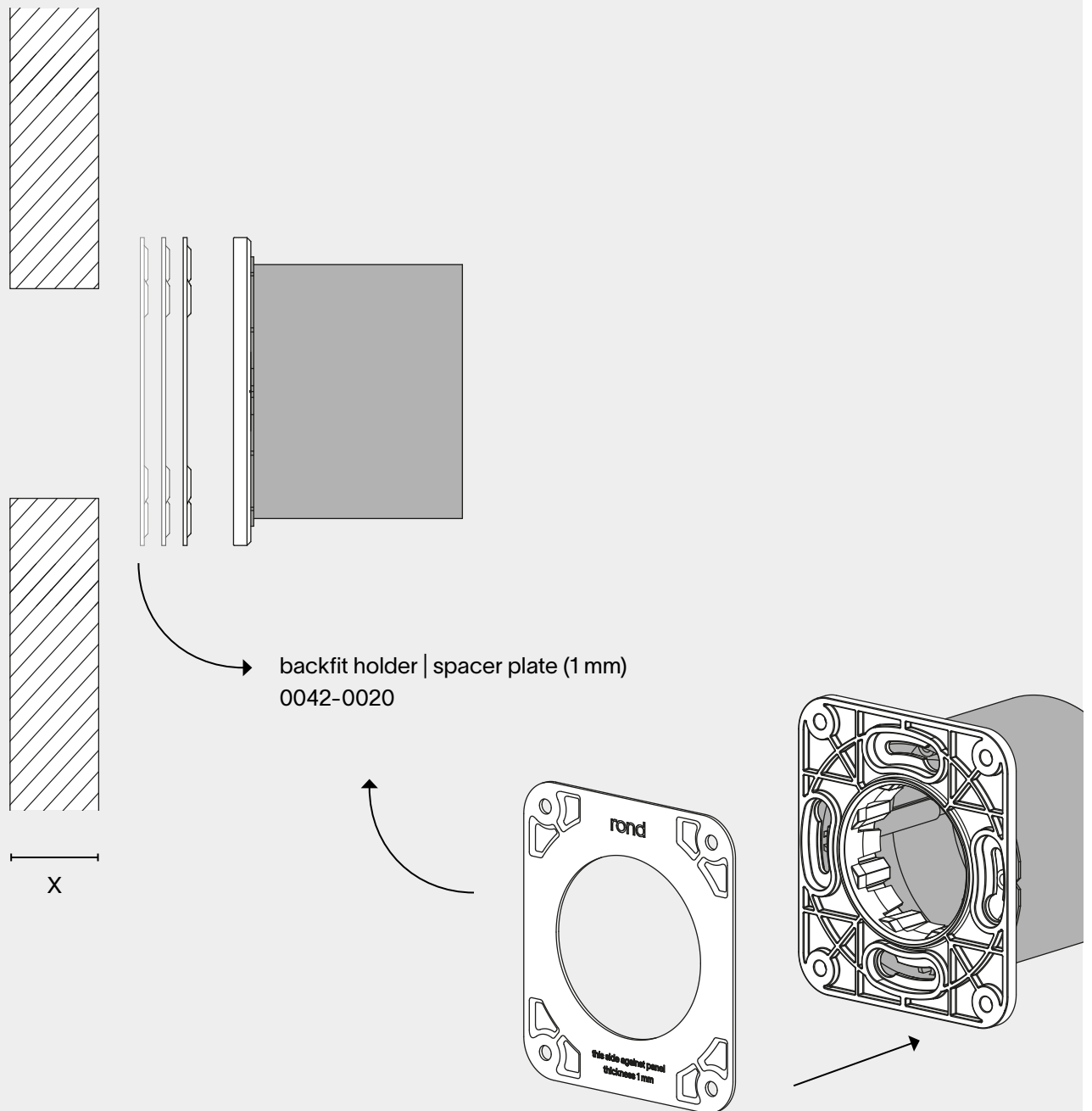


If the finish material thickness is thicker than 12, 16, 19 or 22 mm (depending on the chosen backfit holder), machine down (Ø105 mm) the material to achieve the correct total depth (12, 16, 19 or 22 mm).

product code	name	x
0042-0015	rond 3.0 backfit holder - 12 mm	12 mm
0042-0016	rond 3.0 backfit holder - 16 mm	16 mm
0042-0019	rond 3.0 backfit holder - 19 mm	19 mm
0042-0022	rond 3.0 backfit holder - 22 mm	22 mm

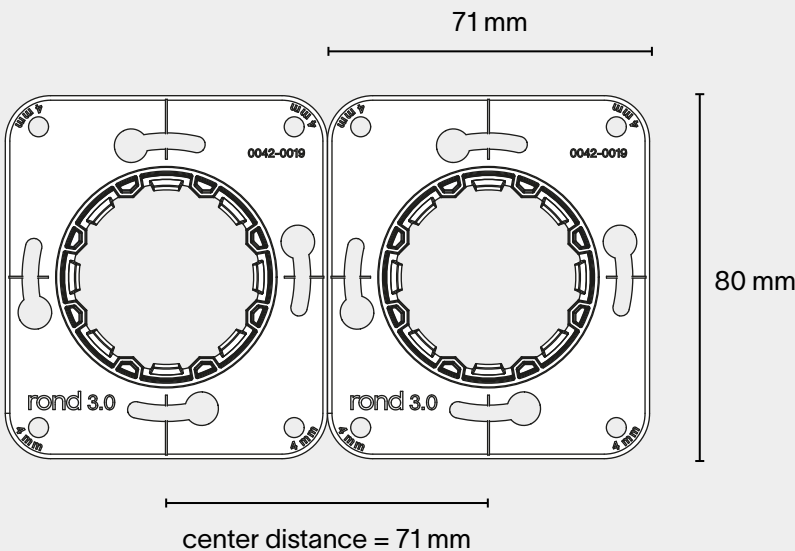
3b

if thickness < X
spacer plate



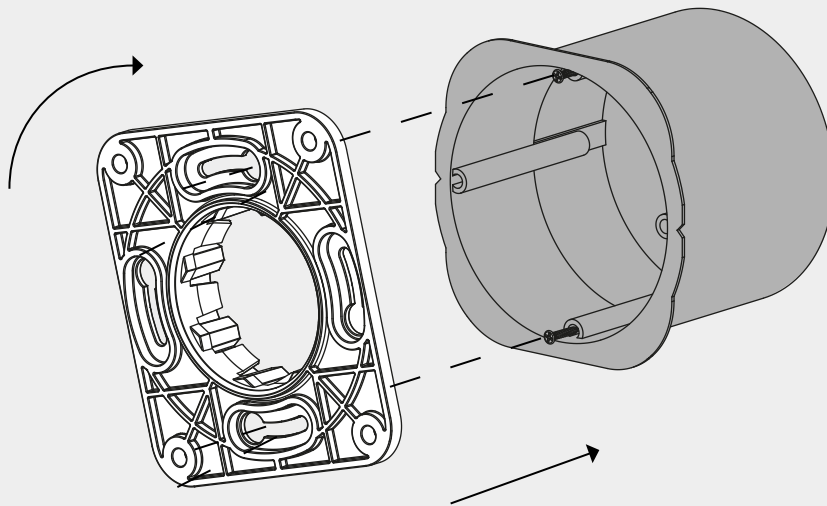
If the finish material thickness is thinner than 12, 16, 19 or 22 mm (depending on the chosen backfit holder), add one or more backfit holder spacer plates (per 1 mm) to achieve the correct total depth (12, 16, 19 or 22 mm).

4



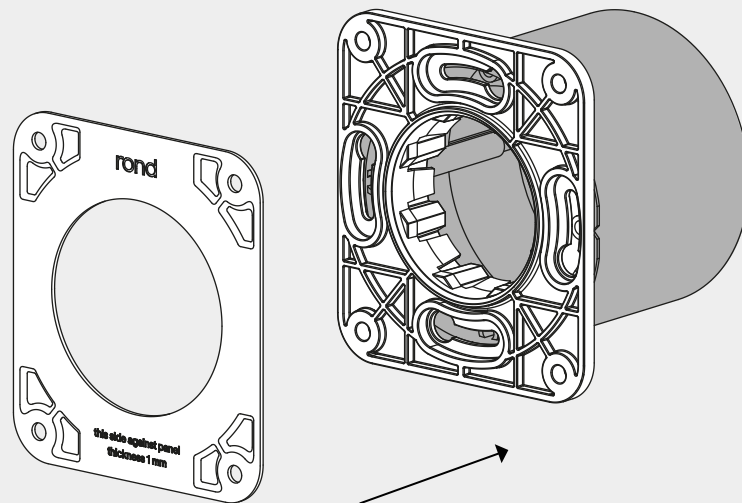
For 2 or more.

5



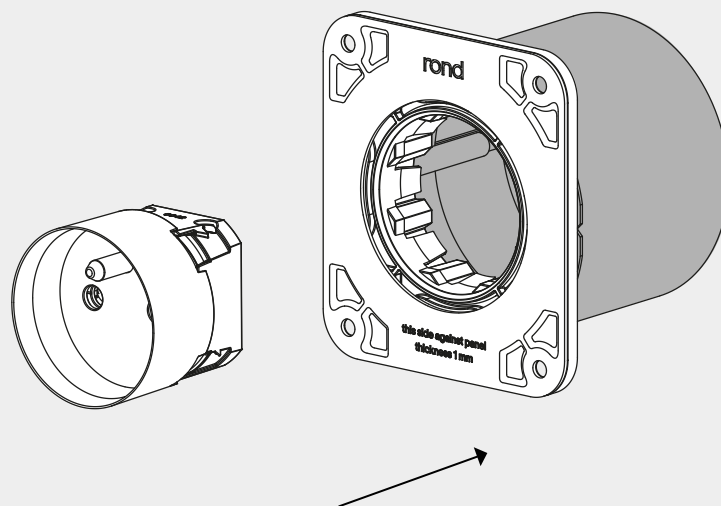
Place the backfit holder on top of the junction box, give it a twist, and tighten the screws.

6



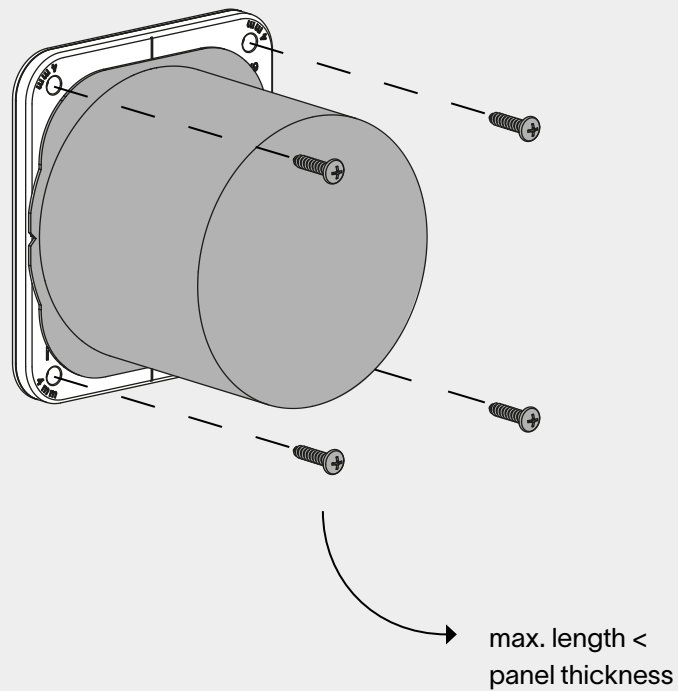
If needed, position the backfit holder spacer plate(s) on top of the backfit holder.

7



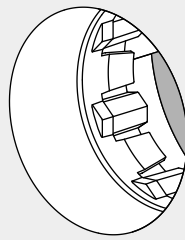
Click the rond 3.0 socket in the holder to make alignment easier.

8



Fasten the backfit holder with junction box securely at the back of the material. Screw on a screwfast surface or use the appropriate glue, compatible with both the panel material and backfit holder material (PP + 30%GF).

9



Remove the socket using the removal tool and follow the socket installation manual. The backfit holder is compatible with rond 3.0 retro-, backfit & stone socket.

thank you for choosing rond

rond.io

Shiver NV - Handelsstraat 19 - 8630 Veurne - Belgium

Installation must be done by skilled professionals only and instructions must be followed at all times. Warranty will not apply in case of wrongful use or if unskilled personnel attempts to repair a product.