

backfit holder | spacer plate installation instruction

for installation with **rond 2.0 backfit holder**
go to page 2 ([click here](#))

for installation with **rond 3.0 backfit holder**
go to page 4 ([click here](#))

Choose your version.

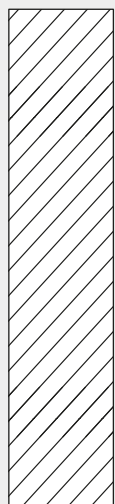
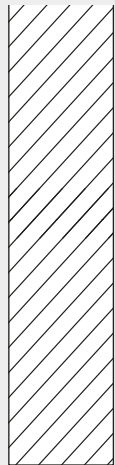
1

rond 2.0 backfit holder

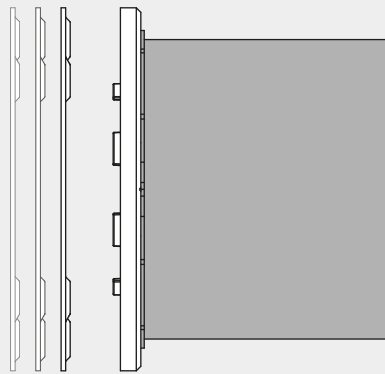
backfit holder 2.0

installation

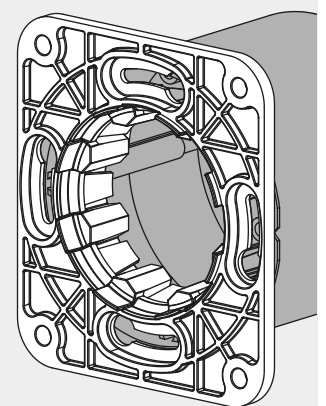
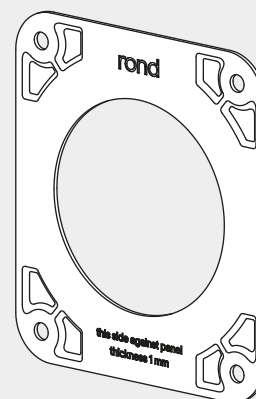
if < 19 mm
use spacer plate



19 mm

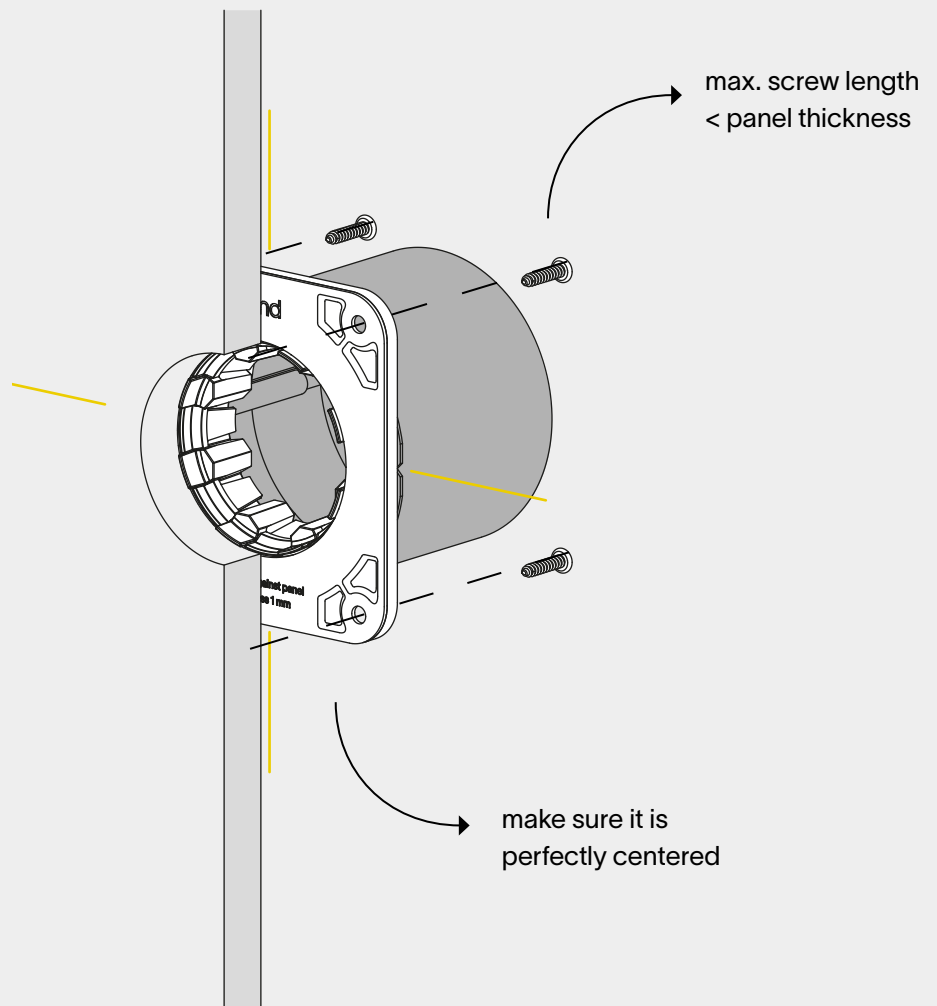


backfit holder | spacer plate (1 mm)
0042-0020



If the finish material thickness is thinner than 19 mm, add one or more backfit holder spacer plates (per 1 mm) to achieve the correct total depth (19 mm).

2



Fasten the junction box with backfit holder and backfit holder spacer plate(s) at the back of the material. Screw on a screwfast surface with the appropriate screws.

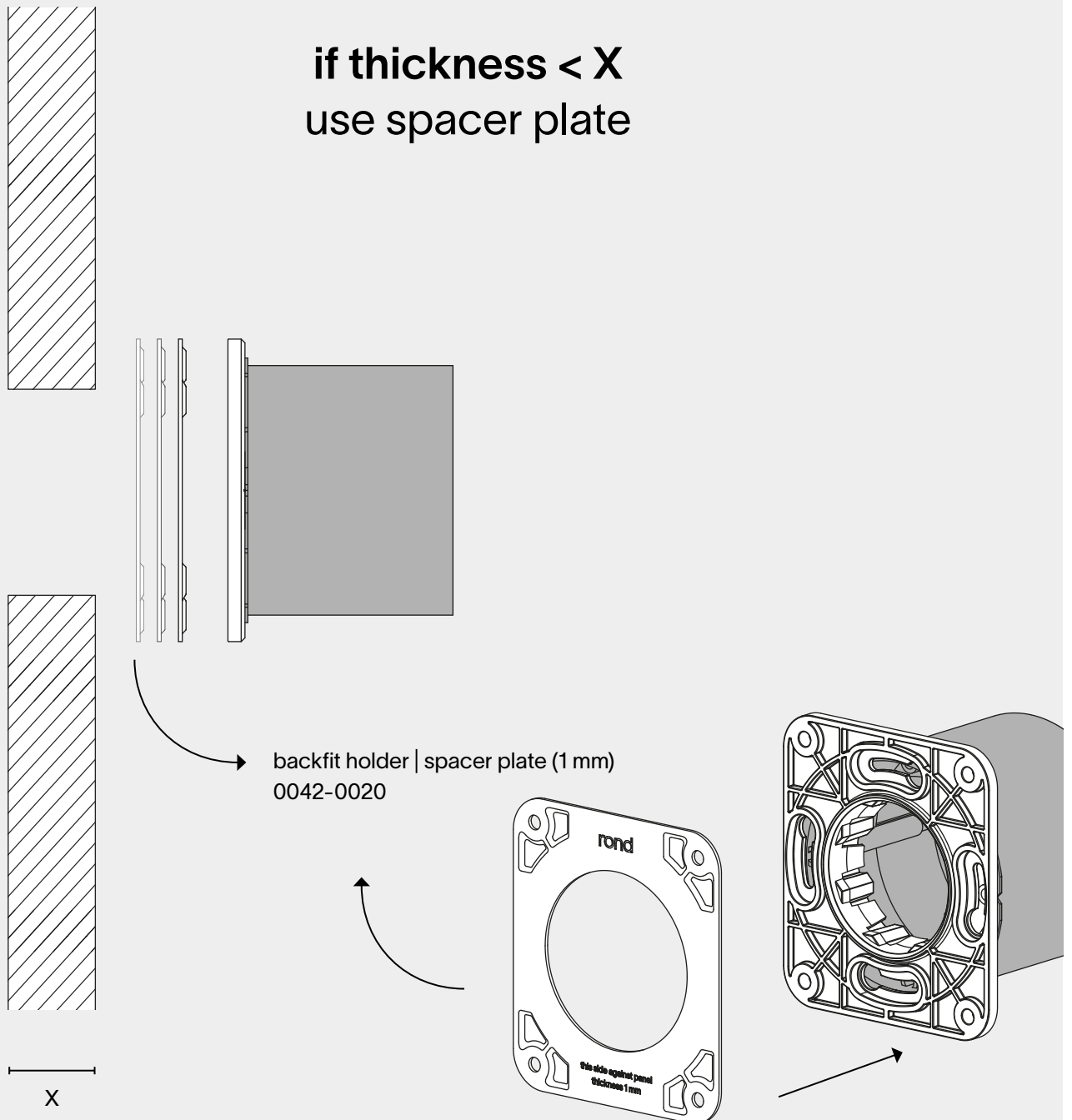
1

rond 3.0 backfit holder

backfit holder 3.0

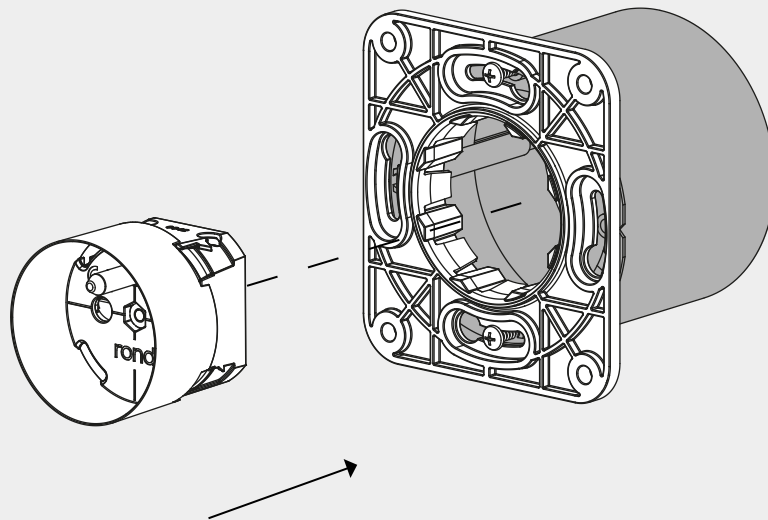
installation

if thickness < X
use spacer plate



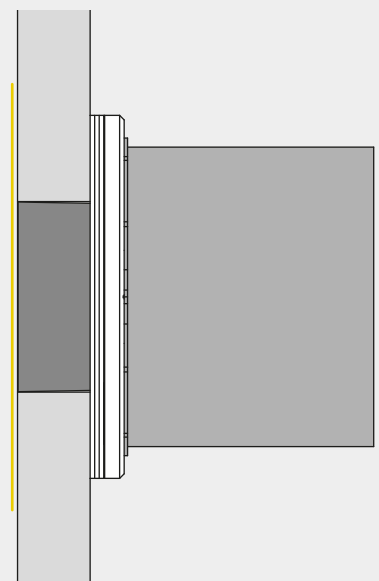
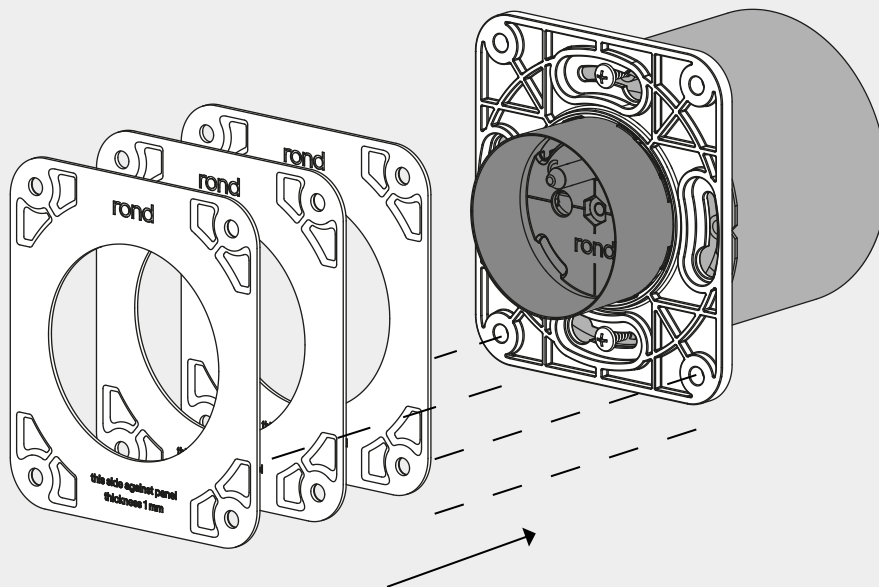
If the finish material thickness is thinner than 12, 16, 19 or 22 mm (depending on the chosen backfit holder), add one or more backfit holder spacer plates (per 1 mm) to achieve the correct total depth (12, 16, 19 or 22 mm).

2



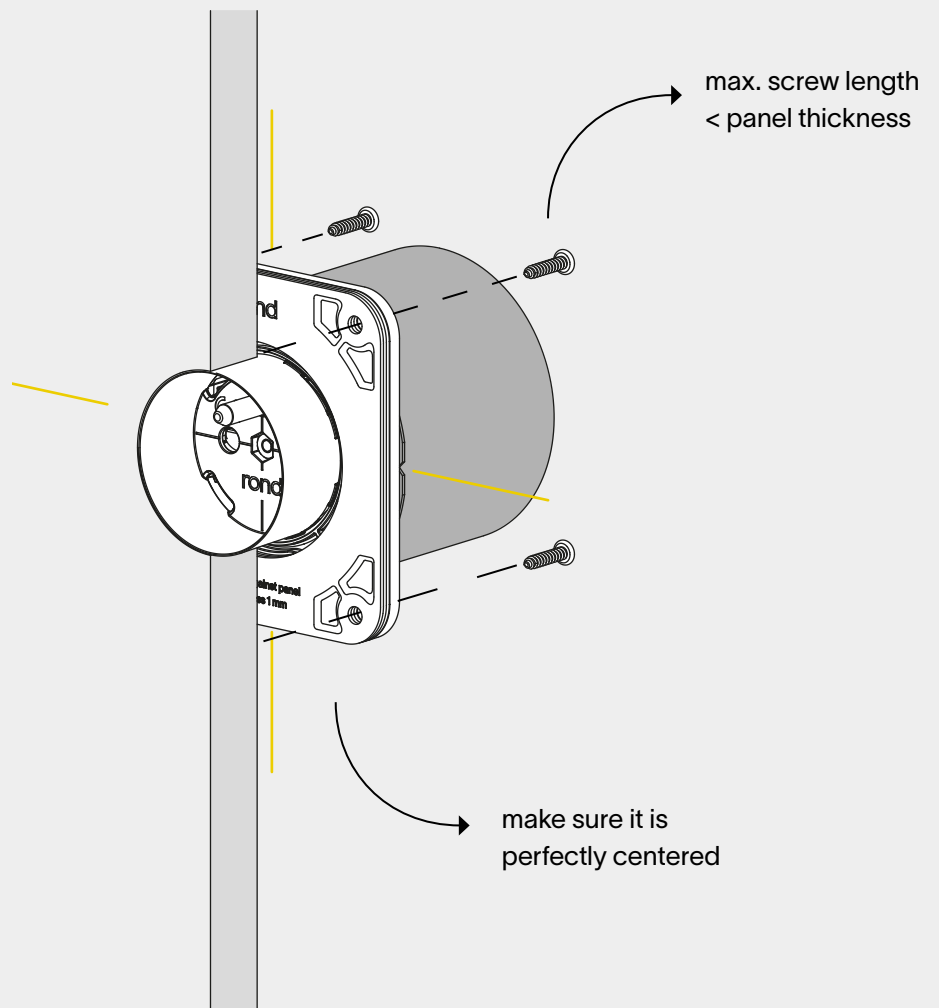
Tip: first install the rond 3.0 socket into the backfit holder and place it onto the back of the wall.

3



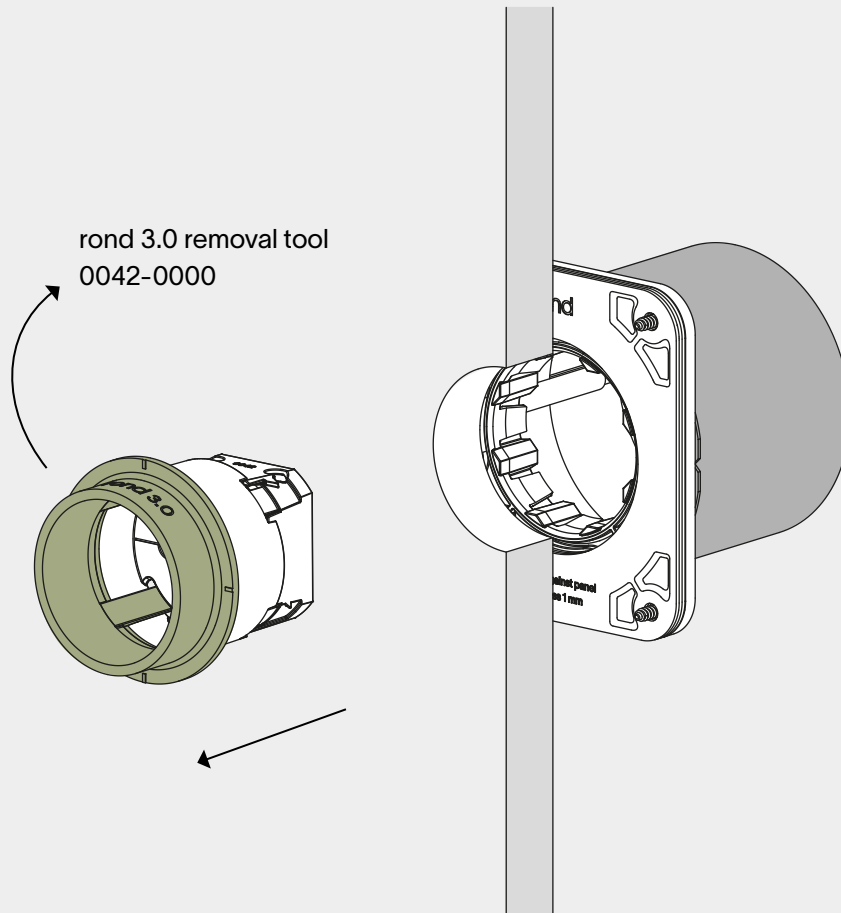
Now you can add one or more spacer plates onto the backfit holder to achieve the correct total depth (12, 16, 19 or 22 mm).

4



Fasten the junction box with backfit holder, backfit holder spacer plate(s) and socket at the back of the material. Screw on a screwfast surface with the appropriate screws.

5



Remove the socket with the removal tool for further installation.

thank you for choosing rond

rond.io

Shiver NV - Handelsstraat 19 - 8630 Veurne - Belgium

Installation must be done by skilled professionals only and instructions must be followed at all times. Warranty will not apply in case of wrongful use or if unskilled personnel attempts to repair a product.